



PROJECT		REF		REV	ITEM CODE	
LOCATION		DATE			PAGE	

SANITARY WARE SPECIFICATION SHEET

Item Descriptions	Delabie (France) Recessed waterproof housing for TEMPOMIX shower mixers	Illustration/ Drawing
Dimensions	L260 x W200 x H140 mm	
Model	790BOX	
Manufacturer	Delabie (France)	
Source	Acme Sanitary Ware Co. Ltd Mr. Eric Wong/ Mr. Wilson Hung	
Contact Tel/Fax	(852) 2388-7171 / (852) 2710-8012	
E-mail Website	acme@acmesanitary.com.hk www.acmesanitary.com.hk	

DESCRIPTION
Recessed waterproof housing for TEMPOMIX shower Ref. 790BOX
 Recessed waterproof housing kit 1/2.
 For TEMPOMIX shower mixer.
 Partition thickness can be between 10 to 30mm.

TECHNICAL CHARACTERISTICS
 Recessed waterproof housing for TEMPOMIX shower - Ref. 790BOX

Connector	½"
Technology	Time flow
Height	140mm
Depth	130mm
Length	260mm
Width	200mm

ADVANTAGES

- Installation recessed in wall
- System tested to over 500,000 operations
- 100% waterproof housing

Note:

** All information of the above is for the reference only. No prior notice is made if any changes.*



Since 1949

Acme Sanitary Ware Co. Ltd.

1/F, Acme Building, 22-28 Nanking Street, Kowloon, Hong Kong

Tel: 2388 7171 Fax: 2710 8012

Email: acme@acmesanitary.com.hk

Website: www.acmesanitary.com.hk

DELABIE

OPERATION

EN

- Activate by pressing the push-button control.
- Temperature control by rotating the push-button control.
- Automatic timed shut-off after ~30 seconds (+5/- 10 at 3 bar according to the European Standard EN 816).
- Supply with cold water and hot water between 55-85°C (with a minimum temperature difference of 50°C between the hot and cold water).
- The products are designed to withstand the thermal and chemical shocks as described by current guidelines.
- Pressure: 1 - 5 bar (100 - 500kPa), we recommend 3 bar (300kPa).
Maximum pressure differential at the inlets: 1 bar.

INSTALLATION

Do not remove the non-return valves integrated in the inlets in any circumstance.

THE INSTALLER MUST ENSURE:

- THE SEAL AROUND THE RECESSING HOUSING IS WATERPROOF TO PREVENT ANY INGRESS OF WATER;
- ANY WATER ACCIDENTALLY ENTERING THE RECESSING HOUSING (E.G. CONDENSATION, RUN OFF, LEAKS, ETC.) HAS AN EXTERNAL DRAINAGE POINT TO PREVENT ANY STAGNATION;
- THE INTEGRITY OF THE SEALS BETWEEN THE STAINLESS STEEL WALL PLATE AND THE WALL OR THE WALL PLATE AND THE MIXER AT LEAST ONCE A YEAR, AND MAKE GOOD IF NECESSARY.

If this advice is not followed, water may leak into the wall.

DELABIE cannot be held responsible for any ingress.

FOR FURTHER INFORMATION PLEASE CALL DELABIE TECHNICAL SUPPORT

UK: 01491 821821. ALL OTHER MARKETS: +33 (0)3 22 60 22 74.

ADJUSTING THE FLOW RATE (FIG. O)

- The flow rate is pre-set at the factory at 12 lpm at 3 bar for showers (models fitted with ROUND shower heads are set at 6 lpm). The flow rate can be adjusted without shutting-off the water supply or removing the mixer.

REMEMBER

- **Our mixers/taps/valves must be installed by professional installers** in accordance with current regulations and recommendations in your country, and the specifications of the fluid engineer.
- **Sizing the pipes correctly** will avoid problems of flow rate, pressure loss and water hammer (see calculation table in our brochure and online at www.delabie.com).
- **Protect the installation** with filters, water hammer absorbers and pressure reducers to reduce the frequency of maintenance (recommended pressure from 1 to 5 bar maximum).
- **Install stopcocks** close to the mixer/tap/valve to facilitate maintenance.
- The pipework, filters, non-return valves, stopcocks, bib taps, cartridge and all sanitary fittings should be checked at least once a year, and more frequently if necessary.

MAINTENANCE (FIG. P and Q)

We recommend an annual check of the following items:

- **Non-return valves and filters:** de-scale and replace worn or damaged parts.
- **Inter-changeable cartridge:** de-scale internal parts and replace worn or damaged parts.

MAINTENANCE & CLEANING

- **Cleaning chrome, aluminium and stainless steel:** do not use abrasive, chlorine or any other acid-based cleaning products. Clean with mild soapy water using a cloth or a sponge.
- **Frost protection:** drain the pipes and operate the mixer/tap/valve several times to drain any remaining water. In the event of prolonged exposure to frost, we recommend taking the mechanisms apart and storing them indoors.



Acme Sanitary Ware Co. Ltd.

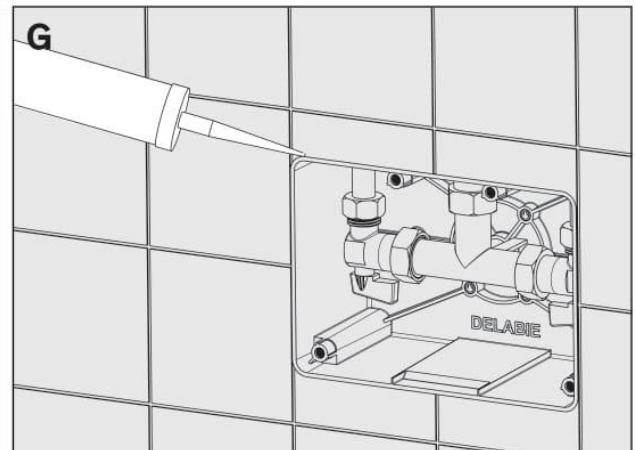
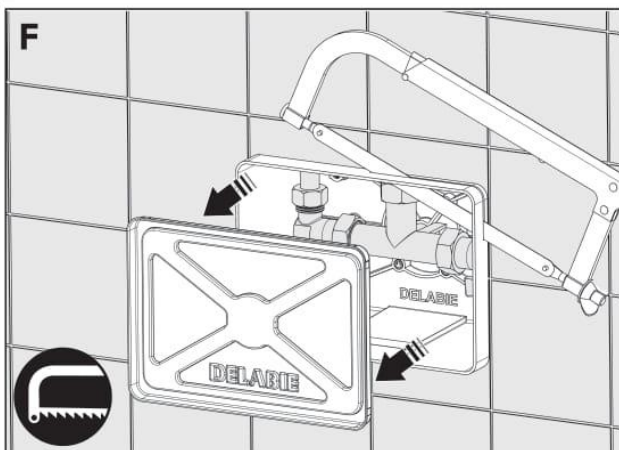
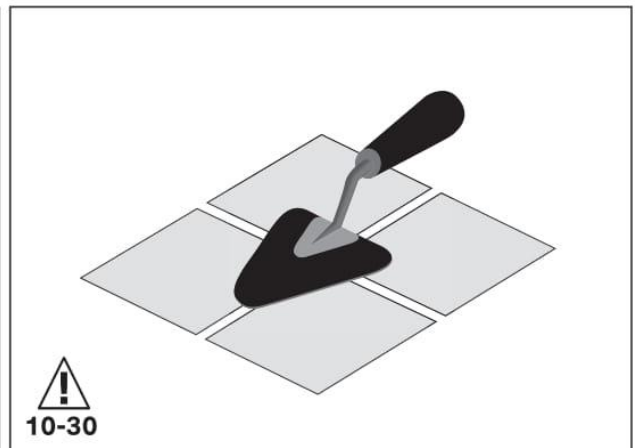
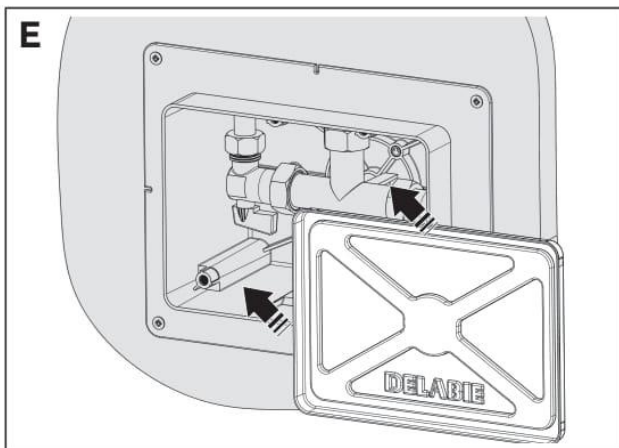
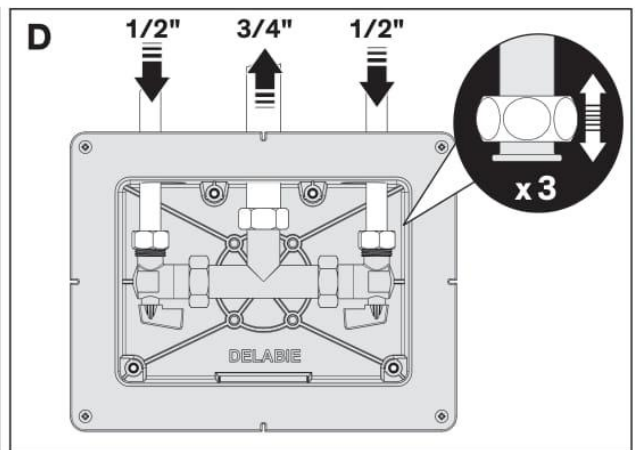
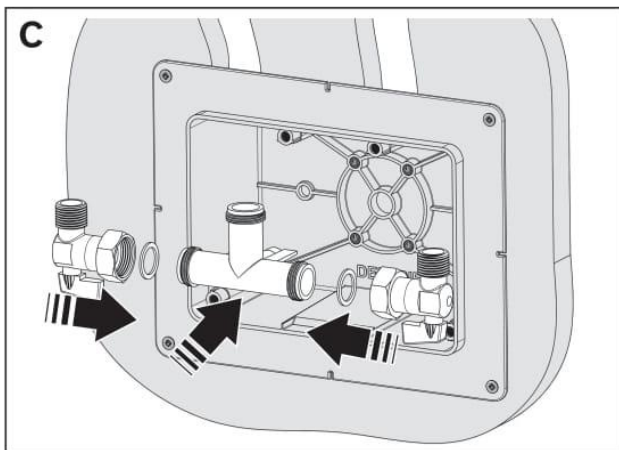
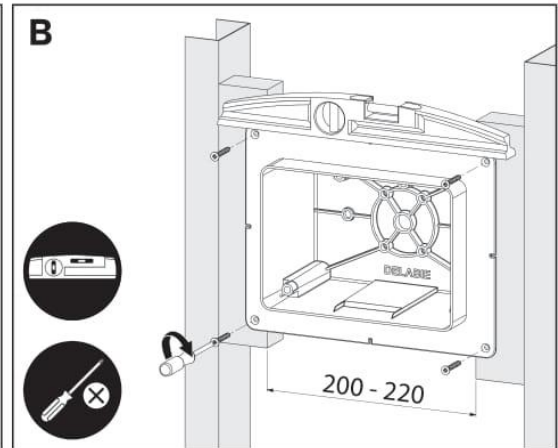
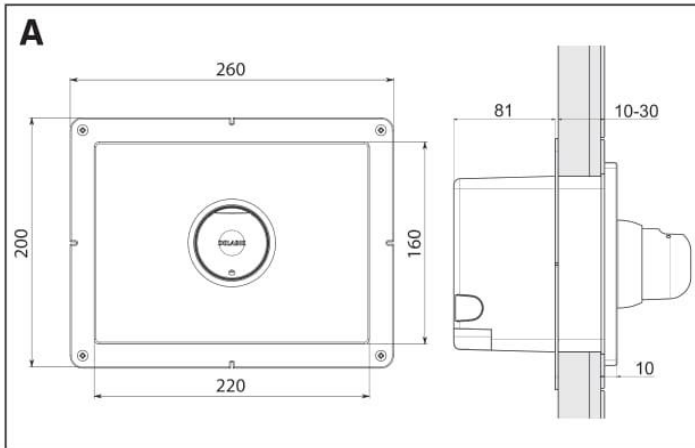
1/F, Acme Building, 22-28 Nanking Street, Kowloon, Hong Kong

Tel: 2388 7171 Fax: 2710 8012

Email: acme@acmesanitary.com.hk

Website: www.acmesanitary.com.hk

DELABIE





Acme Sanitary Ware Co. Ltd.

1/F, Acme Building, 22-28 Nanking Street, Kowloon, Hong Kong

Tel: 2388 7171 Fax: 2710 8012

Email: acme@acmesanitary.com.hk

Website: www.acmesanitary.com.hk

DELABIE

